

Koła łańcuchowe z piastą

链轮 SPROCKET  
8 x 3mm

05B-1-2

链轮 SPROCKET 8 x 3mm

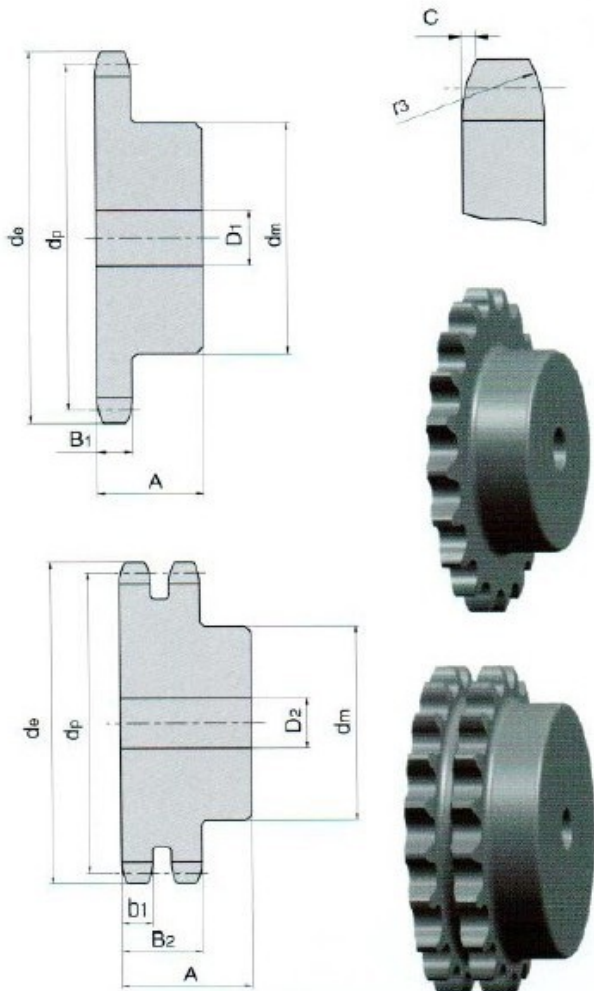
配对链条标准为DIN8187 ISO/R 606  
For Chain Acc.to DIN8187 ISO/R 606

链轮 SPROCKET	mm
齿侧倒角半径 Tooth Radius r3	8.0
齿侧倒角宽 Radius Width C	1.0
齿宽 Tooth Width B1	2.8
齿宽 Tooth Width b1	2.7
齿宽 Tooth Width B2	8.3

链条 CHAIN	mm
节距 Pitch	8.0
内节内宽 Internal Width	3.0
滚子直径 Roller Diameter	5.0

齿数等于或超过62时, H=4mm  
When Z ≥ 62, H=4mm

\*为焊接凸台 \* Welding hub



Z	de	dp	SIMPLEX			DUPLEX		
			dm	D1	A	dm	D2	A
8	24.0	20.90	13	6	12	12	8	18
9	26.6	23.39	15	6	12	15	8	18
10	29.2	25.89	17	8	12	17	8	18
11	31.7	28.39	18	8	13	19	8	18
12	34.2	30.91	20	8	13	21	8	18
13	36.7	33.42	23	8	13	24	8	18
14	39.2	35.95	25	8	13	26	8	18
15	41.7	38.48	28	8	13	29	8	18
16	44.3	41.01	30	8	14	32	10	20
17	46.8	43.53	30	8	14	34	10	20
18	49.3	46.07	30	8	14	37	10	20
19	51.9	48.61	30	8	14	39	10	20
20	54.4	51.14	30	8	14	40	10	20
21	57.0	53.68	35	8	14	40	10	20
22	59.5	56.21	35	8	14	40	10	20
23	62.0	58.75	35	8	14	40	10	20
24	64.6	61.29	35	8	14	40	10	20
25	67.5	63.83	35	8	14	40	10	20
26	69.5	66.37	40	10	16	50	12	22
27	72.2	68.91	40	10	16	50	12	22
28	74.8	71.45	40	10	16	50	12	22
29	77.3	73.99	40	10	16	50	12	22
30	79.8	76.53	40	10	16	50	12	22
31	82.4	79.08	40	10	16	60	12	22
32	84.9	81.61	40	10	16	60	12	22
33	87.5	84.16	40	10	16	60	12	22
34	90.0	86.70	40	10	16	60	12	22
35	92.5	89.25	40	10	16	60	12	22
36	95.0	91.79	40	10	16	60	12	22
37	97.6	94.33	40	10	16	60	12	22
38	100.2	96.88	40	10	16	60	12	22
39	102.7	99.42	40	10	16	60	12	22
40	105.3	101.97	40	10	16	60	12	22
41	107.8	104.51	58	10	20	78	12	38
42	110.4	107.05	58	10	20	78	12	38
43	112.9	109.60	58	10	20	78	12	38
44	115.5	112.14	58	10	20	78	12	38
45	118.0	114.69	58	10	20	78	12	38
46	120.6	117.23	58	10	20	78	12	38
47	123.1	119.77	58	10	20	78	12	38
48	125.6	122.32	58	10	20	78	12	38
49	128.2	124.86	58	10	20	78	12	38
50	130.7	127.41	58	10	20	78	12	38
51	133.3	129.95	78	10	20	78	12	38
52	135.8	132.49	78	10	20	78	12	38
53	138.4	135.04	78	10	20	78	12	38
54	140.9	137.59	78	10	20	78	12	38
55	143.5	140.13	78	10	20	78	12	38
56	146.0	142.68	78	10	20	78	12	38
57	148.6	145.22	78	10	20	78	12	38
58	151.0	147.77	78	10	34	78	12	38
59	153.6	150.31	78	10	34	78	12	38
60	156.2	152.86	78	10	34	78	12	38
62	162.0	157.95	78	10	34	78	12	38
64	167.1	163.04	78	10	34	78	12	38
65	169.6	165.58	78	10	34	78	12	38
66	172.2	168.13	78	10	34	78	12	38
68	177.3	173.22	78	10	34	78	12	38
70	182.4	178.31	78	10	34	78	12	38
72	187.5	183.40	78	10	34	78	12	38
75	195.1	191.04	78	10	34	78	12	38
76	197.7	193.59	78	10	34	78	12	38
78	202.8	198.68	*78	10	34	*78	12	38
80	207.9	203.77	*78	10	34	*78	12	38
85	220.6	216.50	*78	10	34	*88	12	43
90	233.4	229.23	*78	10	34	*88	12	43
95	246.1	241.96	*78	10	34	*88	12	43
100	258.9	254.68	*78	10	34	*88	12	43
110	284.3	280.15	*88	10	39	*88	12	43
114	294.5	290.33	*88	10	39	*88	12	43
120	310.0	305.61	*88	10	39	*88	12	43
125	322.5	318.34	*88	10	39	*88	12	43